



Product Information

CU5-HUM

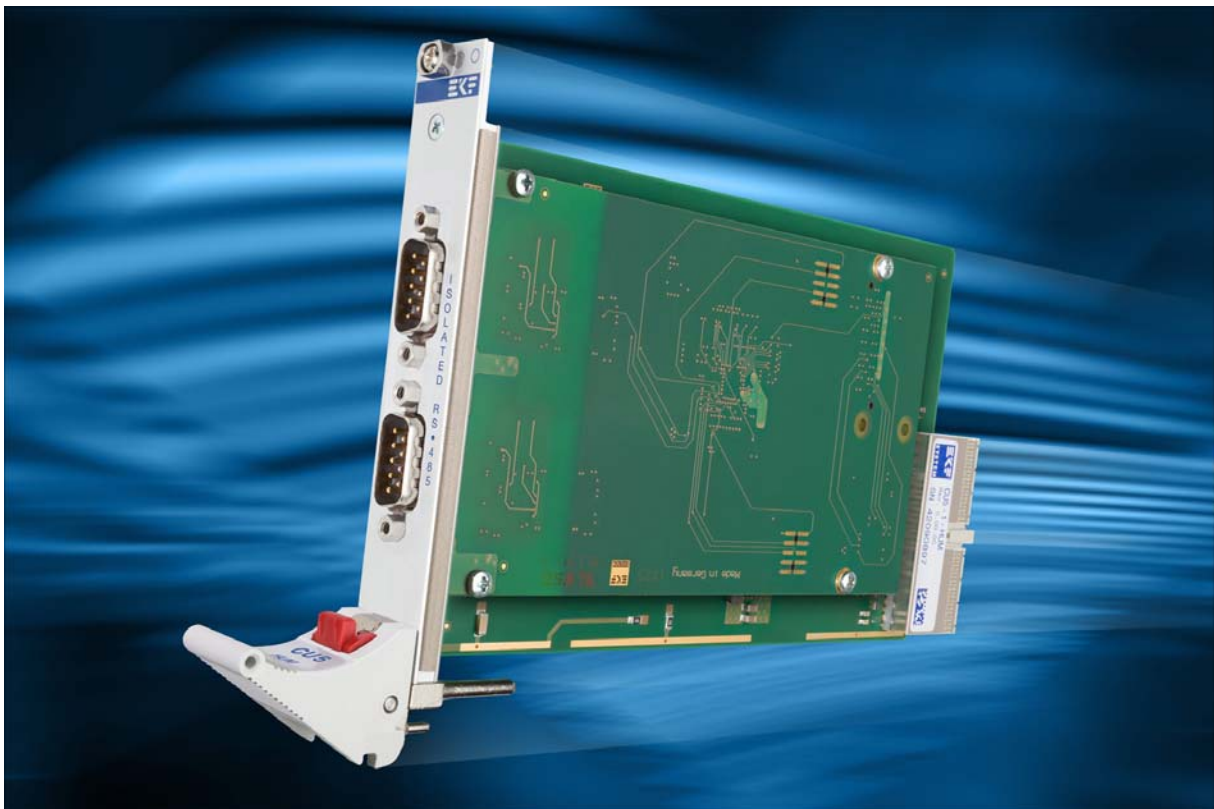
CompactPCI® • Dual-Port Isolated RS-485 Interface

Document No. 6965 • 25 March 2013

General

The CU5-HUM is a dual-port isolated RS-485 interface card for PICMG® CompactPCI® systems. It is an assembly unit, comprised of the CK2-SESSION XMC module carrier card, and the DU1-MUSTANG RS-485 XMC mezzanine module.

Both D-Sub front panel connectors are isolated against the board circuitry and withstand up to 250VAC. The 16Mbps EIA/TIA-485 transceivers can be configured for full- or half-duplex operation, either point-to-point or multipoint applications.



CU5-HUM



CU5-HUM

Theory of Operation

The CU5-HUM is a CompactPCI® peripheral card, equipped with a 32-bit 33/66MHz PCI to PCI Express® bridge. The internal PCI Express® lane is wired to the on-board XMC module connector J15.

The on-board XMC module is equipped with a PCI Express® to UART bridge, which is suitable for asynchronous baud rates up to 15Mbps. Two isolated transceivers are provided to meet the RS-485 physical layer specifications.

Summary of Features

- ▶ PICMG® CompactPCI® Classic (CPCI 2.0), peripheral slot card
- ▶ Assembly unit comprising carrier board CK2-SESSION & XMC module DU1-MUSTANG
- ▶ Single size Eurocard 3U 4HP 100x160mm²
- ▶ Backplane connector J1 (32-bit, 33/66MHz) 3.3V/5V V_{IO}
- ▶ XMC module carrier board, equipped with XMC connector J15

- ▶ XMC Module single-width mezzanine card 139mm x 74mm, stack height 10mm
- ▶ Equipped with dual-port UART
- ▶ PLX Oxford 950 UART w. 128-byte transmit/receive FIFO
- ▶ Asynchronous baud rates up to 15Mbps
- ▶ Windows® & Linux device driver support
- ▶ 5kV rms isolation barrier RS-485/RS-422 transceivers (Analog Devices)
- ▶ Configurable as half- or full-duplex
- ▶ ±15 kV ESD protection on RS-485 input/output pins
- ▶ Data rate 16 Mbps
- ▶ Connect up to 256 nodes on one bus (driver enable control via DTR)
- ▶ Open- and short-circuit, fail-safe receiver inputs
- ▶ High common-mode transient immunity >25 kV/μs
- ▶ Thermal shutdown protection
- ▶ Two front bezel male 9-pin D-Sub connectors
- ▶ RS-485 ports isolated against each other and board circuitry 250VAC
- ▶ On-board DIP-switches for full/half-duplex setting, and line termination on/off

- ▶ Commercial and industrial temperature range
- ▶ Long term availability
- ▶ Rugged solution (coating/sealing available on request)
- ▶ RoHS compliant



CU5-HUM Assembly Unit

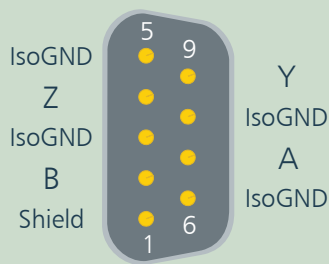
ANSI/TIA/EIA-485-A Interconnect Application



G = Generator • R = Receiver • RT = Termination Resistor
 A/A' = Generator/Receiver Interface Point
 B/B' = Generator/Receiver Interface Point
 C/C' = Generator/Receiver Common

Serial Ports 1 / 2 • Male D-SUB 9

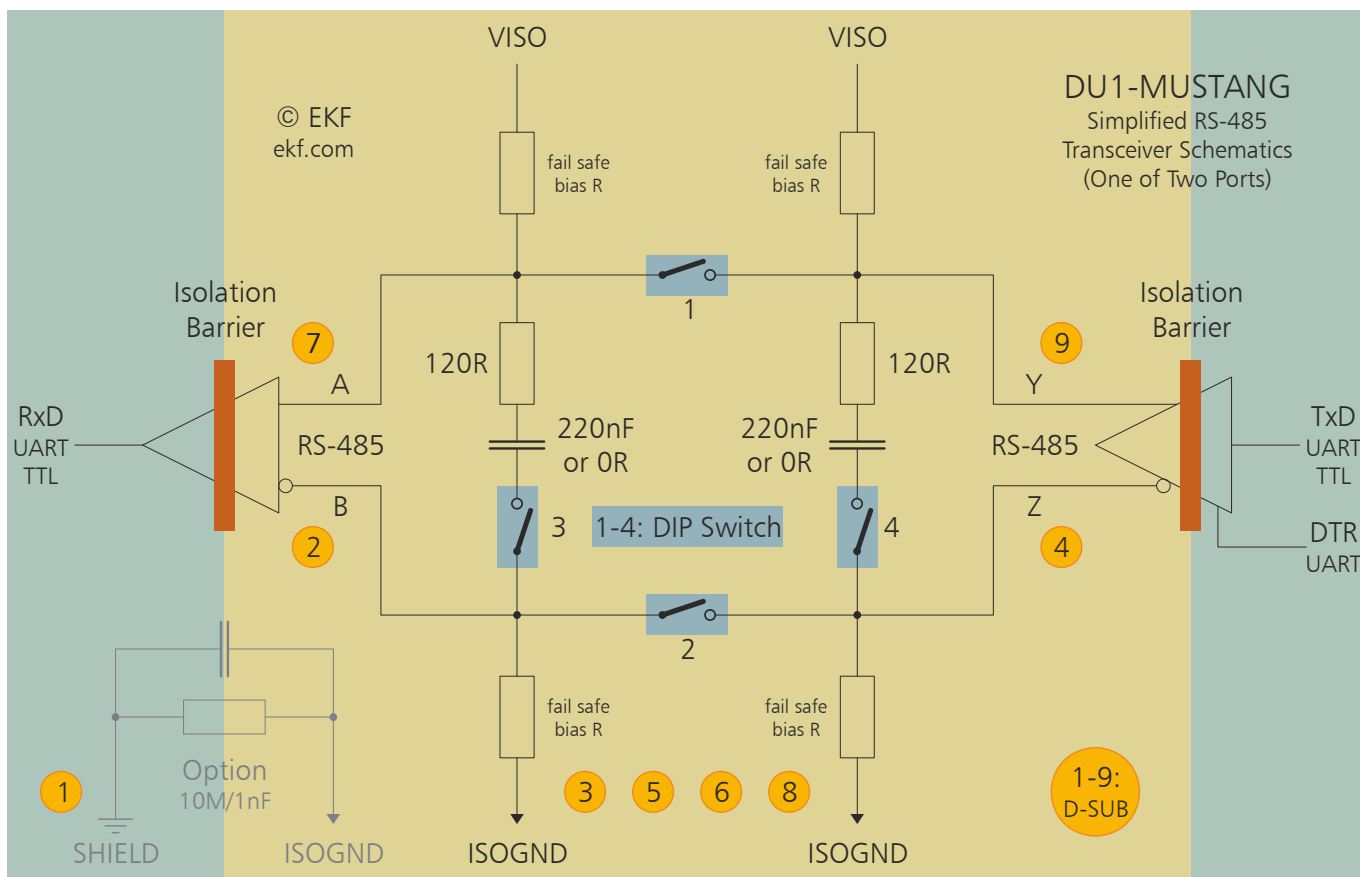
EKF Part No. 261.02.009.23



DU1-MUSTANG
RS-485

www.ekf.com/d/dcom/du1/img/du1_dsub.pdf

1	Shield (Frame Ground)
2	B (Inverting Input)
3	Isolated Ground
4	Z (Inverting Output)
5	Isolated Ground
6	Isolated Ground
7	A (Non-Inverting Input)
8	Isolated Ground
9	Y (Non-Inverting Output)

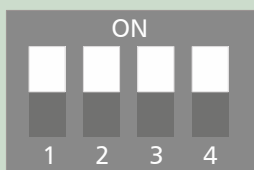


RS-485 Full-Duplex/Half-Duplex Configuration Options

DIP Switches 1/2

EKF Part No. 160.15.04.0

160.15.04.0
© EKF • ekf.com



1=OFF 2=OFF

Full-Duplex RS-485

1=ON 2=ON

Half-Duplex RS-485

3=ON

A/B Termination Active

4=ON

Y/Z Termination Active (Full-Duplex Only)

Detailed Information

The CU5-HUM is an assembly unit, which is comprised of a XMC module carrier card, and the XMC module itself. For more detailed information on these components please refer to the table below:

CU5-HUM Assembly Elements		
CK2-SESSION	XMC Carrier	www.ekf.com/c/cpcc/ck2/ck2.html
DU1-MUSTANG	XMC Module	www.ekf.com/d/dcom/du1/du1.html

Ordering Information

Ordering Information
For popular CU5-HUM SKUs please refer to www.ekf.com/liste/liste_20.html#CU5

Industrial Computers Made in Germany
boards. systems. solutions.

EKF Elektronik GmbH
Philipp-Reis-Str. 4
59065 HAMM
Germany



Phone +49 (0)2381/6890-0
Fax +49 (0)2381/6890-90
Internet www.ekf.com
E-Mail sales@ekf.com