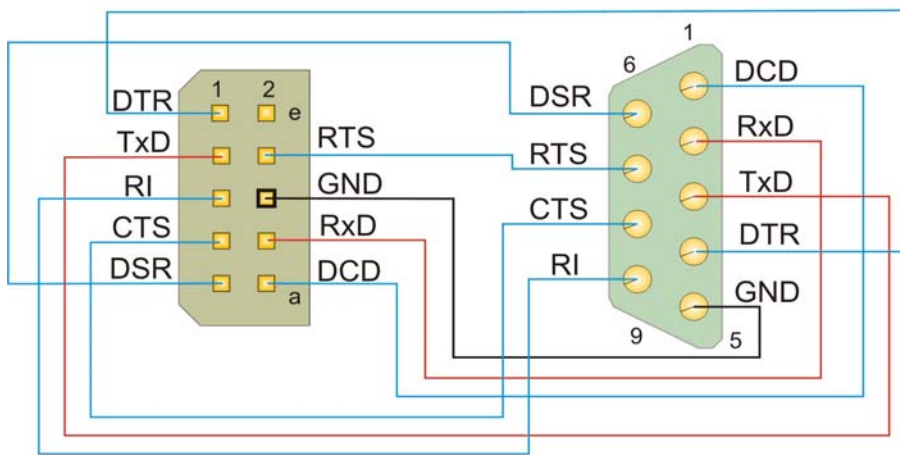




250.0205.30.04 • 250.0205.30.06

Document No. 3225 • 24. September 2003

Emulation Cable RS-232
 CU2-QUARTET serial ports COM1...COM4
 to PC compatible D-SUB connector



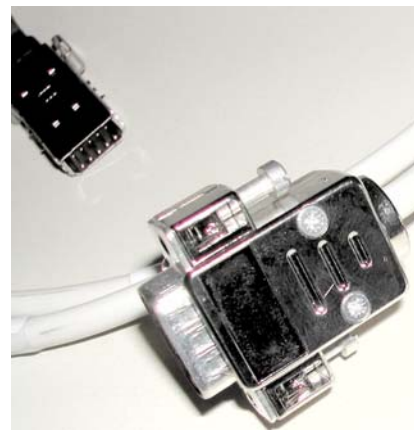
har-link I/O metric male connector
 HARTING part no. 27 11 161 8001
 EKF part no. 250.0205.20.01

shielded male D-SUB connector

use shielded data cable only
 complete cable assembly available on request
EKF part no. 250.0205.30.06 (cable harness 1m, D-SUB hood with screws)
EKF part no. 250.0205.30.04 (cable harness 1m, D-SUB hood with nuts 4/40UNC)



250.0205.30.04



250.0205.30.06

EKF: 250.0205.30.04

Har-Link to D-SUB 9 male with hood, with nuts 4/40UNC

Harthing Order No.: 61 07 202 0064

Har-link Connector 27 11 161 8001	Wire Color	D-SUB 9 Male Connector	Signal
a1		6	DSR
a2		1	DCD
b1		8	CTS
b2		2	RxD
c1		9	RI
c2		5	GND
d1		3	TxD
d2		7	RTS
e1		4	DTR
e2			

EKF: 250.0205.30.06

Har-Link to D-SUB 9 male with hood, with screws

Harthing Order No.: 61 07 202 0062

Har-link Connector 27 11 161 8001	Wire Color	D-SUB 9 Male Connector	Signal
a1		6	DSR
a2		1	DCD
b1		8	CTS
b2		2	RxD
c1		9	RI
c2		5	GND
d1		3	TxD
d2		7	RTS
e1		4	DTR
e2			